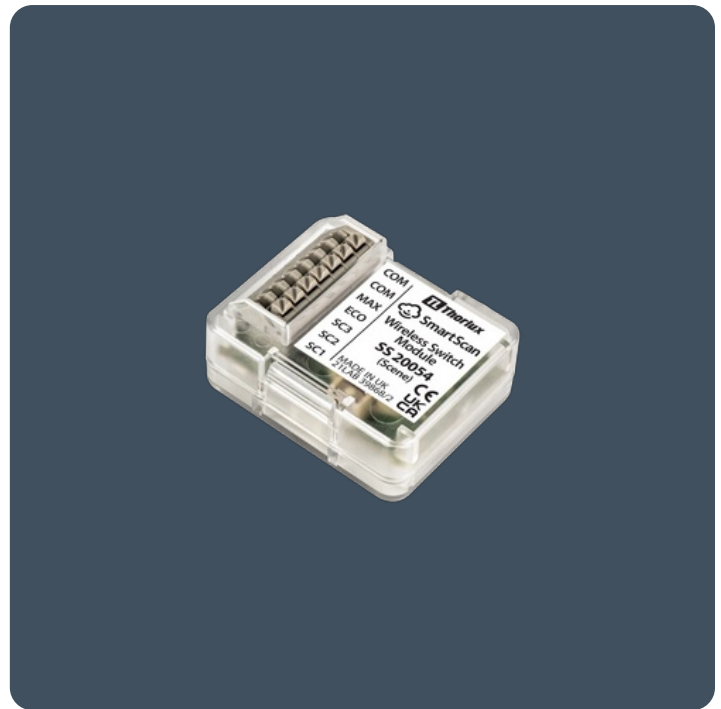


Wireless transmitter to a single receiving group of luminaires

The SmartScan Wireless Switch Module is designed to work with conventional push-to-make wall switches and transmits wireless commands, for example on/o_ and scenes, to a single receiving group of luminaires. Multiple switch modules can be located in proximity of the group to suit the user's requirements for switching locations. Long life battery operation means there is no mains wiring required, providing flexibility for switch locations and significantly reducing installation time and complexity.

- Can be connected to Push to Make switches (supplied by others)
- Designed to fit into a 35 mm deep back box
- The device is powered by two CR2032 coin cells, which can be replaced by unclipping the cover
- 5 inputs providing On (eco), Scenes 1, 2 and 3 and Max
- Programmable using the SmartScan Programmer
- Manual dimming control



Compliance

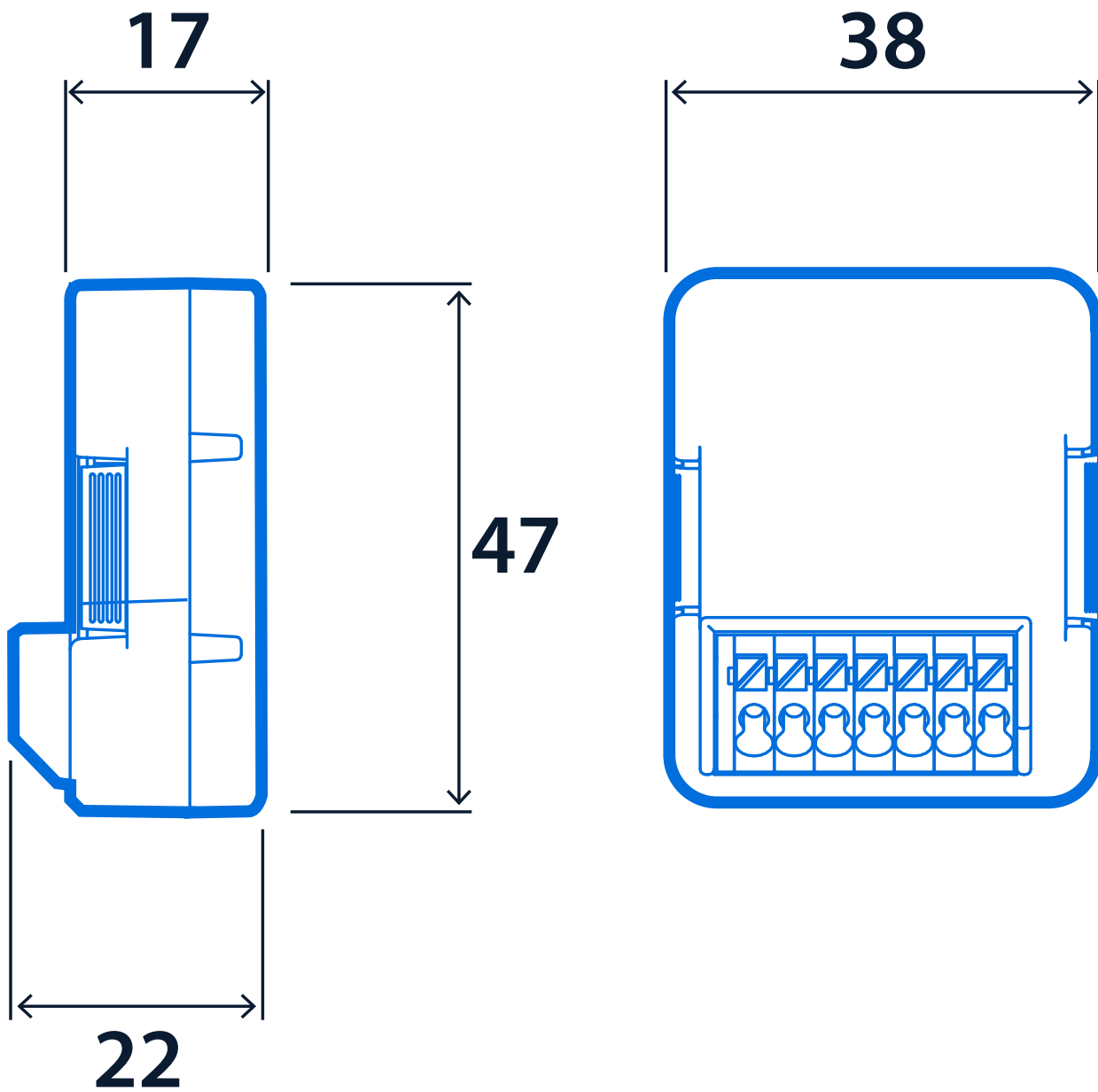
UKCA

Yes

CE

Yes

Dimensions





Click or scan here
View SmartScan Wireless Switch
Module variants using our
online filtering tool



Information is correct as of 29 Dec 2024, however must not be interpreted as a guarantee of individual product performance and/or characteristics. We reserve the right to alter specifications and designs without prior notice.