

High performance luminaires designed to minimise light pollution and energy consumption

Stylish IP66 wall mounted luminaires. High-pressure die-cast aluminium body with a high efficiency polycarbonate refractor. Less than 2% upward light.

Applications: Wide versions ideal for uniform pathway lighting for schools, hospitals, retail and other commercial environments. Area version ideal for general area lighting requiring a forward throw light distribution.

Realta Micro also available for low light level applications or emergency exit lighting. Ligature-resistant versions available.

- Strong high-pressure die-cast LM2 aluminium body with high efficiency prismatic polycarbonate front cover
- Wide distribution or area distribution options
- Highly specular, multi-faceted injection moulded vacuum metallised reflector on wide distribution versions
- Excellent distribution with less than 2% upward light component
- Optional photocell control
- SmartScan wireless technology removes the need for control cabling. Ideal for retro-fit



IP66
Up to IK11
Up to 127.6 LL/CW
SMARTSCAN

Specification

Mounting	Surface	IP rating	IP66
Impact rating	Up to IK11	Max presence detection height	8 m

Lighting

Optic	Clear cover Prismatic cover	Lumen output	1,320 lm - 5,635 lm
Efficacy	Up to 127.6 LL/CW		

Emergency data

Emergency lumen output	365 lm - 385 lm	Emergency type	Maintained
Emergency duration	3 hours	Battery specification	Nickel Metal Hydride (NiMH)

Power

LED power	8 W - 42 W	Circuit power	11 W - 47 W
-----------	------------	---------------	-------------

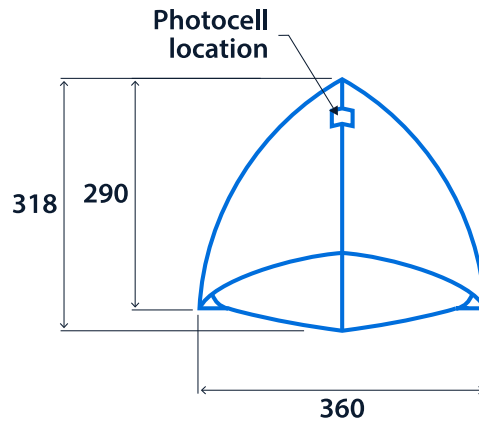
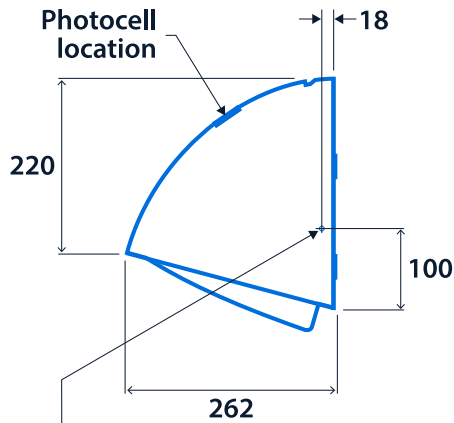
LED characteristics

CRI	70+ 80+	Colour temperature	4000 K
Rated life (hours)	Up to 100 K - L90/B10		

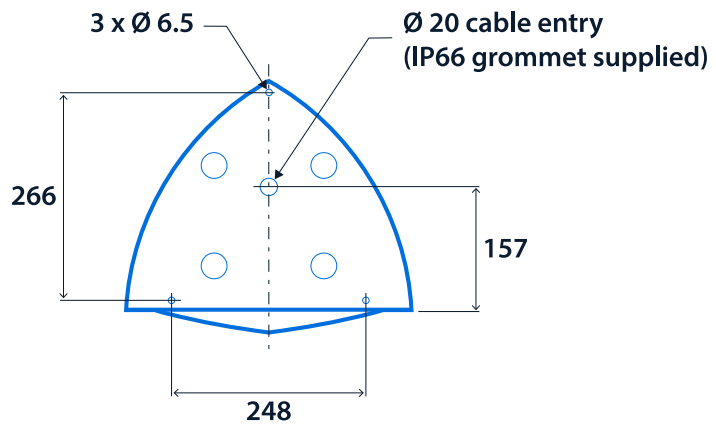
Compliance

UKCA	Yes	CE	Yes
Energy efficiency class	This product contains a light source of energy efficiency class A This product contains a light source of energy efficiency class C		

Dimensions



Spot marked for cable entry on both sides.
Customer to drill if required.





Click or scan here
View Realta variants using our
online filtering tool



Information is correct as of 29 Dec 2024, however must not be interpreted as a guarantee of individual product performance and/or characteristics. We reserve the right to alter specifications and designs without prior notice.