

Track mounted adjustable spotlights

Track mounted display luminaires with integral horizontal control gear. Versions available with barn doors to contain the light distribution. 355° azimuth adjustment and a 180° vertical adjustment. 14 W, 20 W, 28 W or 35 W – 17°, 28° or 41° beam versions.

For use with the Track system.

Applications: office, retail, window displays, reception areas, car showrooms, historic buildings and churches.

- 17°, 28° and 41° beam angle versions
- 355° azimuth adjustment
- 90° vertical adjustment
- Barn door option to control light distribution
- Designed for installation into 3-Circuit or DALI 3-Circuit track
- Fitted with CRI 90 LEDs with enhanced R9 value. Suitable for retail applications

Notes: Black and silver finishes or CRI 80 versions available to special order (minimum order quantity applies)



IP20

Up to 101.5 LL/CW

Specification

Mounting	Track	IP rating	IP20
----------	-------	-----------	------

Lighting

Lumen output	1,330 lm - 2,925 lm	Efficacy	Up to 101.5 LL/CW
--------------	---------------------	----------	-------------------

Power

LED power	14 W - 28 W	Circuit power	17 W - 33 W
-----------	-------------	---------------	-------------

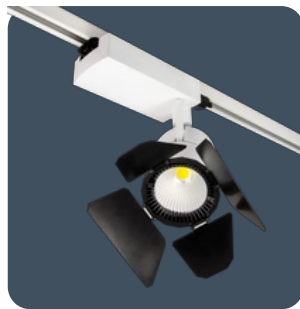
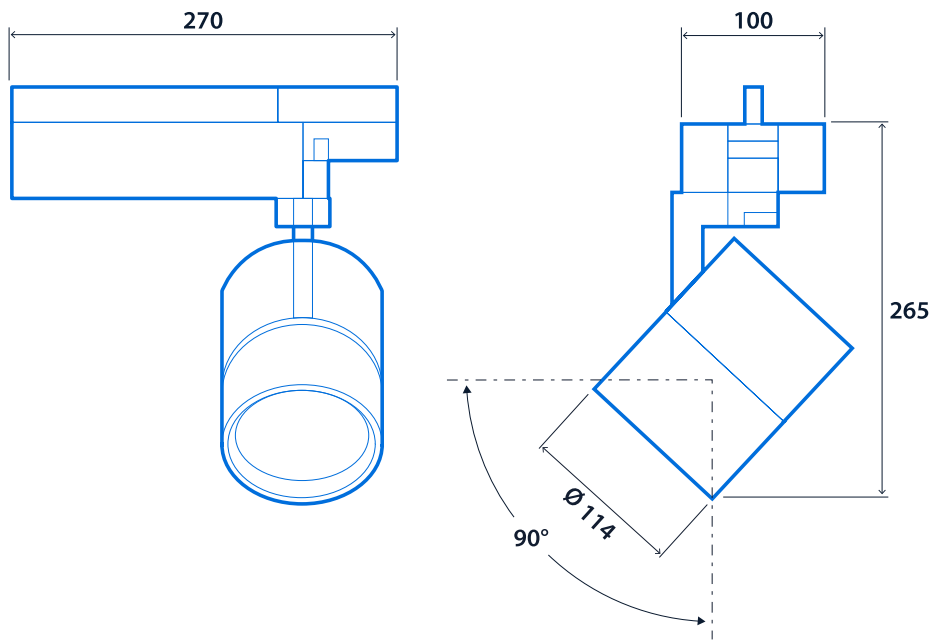
LED characteristics

CRI	90+	Colour temperature	3000 K 4000 K
Rated life (hours)	50 K - L70/B10		

Compliance

UKCA	Yes	CE	Yes
------	-----	----	-----

Dimensions



Click or scan here
View Pivitz variants using our
online filtering tool



Information is correct as of 29 Dec 2024, however must not be interpreted as a guarantee of individual product performance and/or characteristics. We reserve the right to alter specifications and designs without prior notice.