

## High output emergency luminaires for recessed mounting with SmartScan wireless technology

High-power LED emergency luminaires for recessed mounting with SmartScan wireless communication. Discreet LED emergency luminaires with superb optical performance. Three hour, non-maintained emergency operation. Eco-Power pluggable battery reduces maintenance time and cost.

Applications: Areas with increased mounting heights or where increased illumination levels are required.

- Suitable for higher mounting applications
- Aids compliance with BS5266-1:2016 for areas where enhanced illuminance is needed at specific locations
- Pre-fitted 3 m lead option for connection into 6-pole or SmartScan 3-pole installations
- Low standby power consumption (1.7 W total)
- Easily replaceable Nickel Metal Hydride (NiMH) ECO-Power Pack battery
- Simple to install, full status reporting SmartScan wireless communication



IP65 (IP40 above ceiling) / IP20 control module

0 LL/CW



### Specification

Mounting	<b>Recessed</b>	IP rating	<b>IP65 (IP40 above ceiling) / IP20 control module</b>
----------	-----------------	-----------	--

### Emergency data

Emergency lumen output	<b>555 lm - 565 lm</b>	Emergency type	<b>Non-maintained</b>
Emergency duration	<b>3 hours</b>	Battery specification	<b>Nickel Metal Hydride (NiMH)</b>

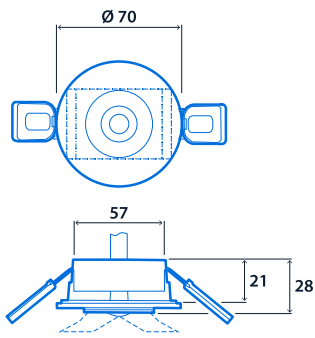
### Power

LED power	<b>4 W</b>	Circuit power	<b>4 W</b>
-----------	------------	---------------	------------

### Compliance

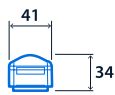
UKCA	<b>Yes</b>	CE	<b>Yes</b>
------	------------	----	------------

## Dimensions

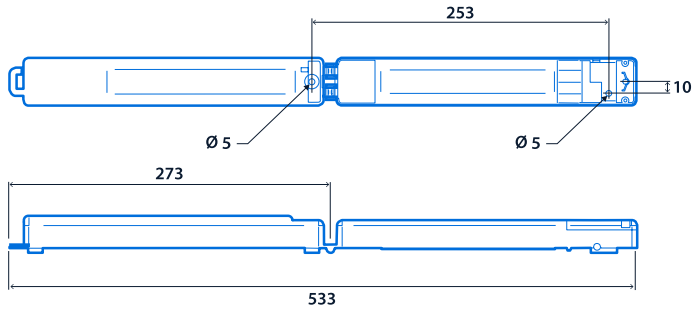


Cut-out - Ø 60  
 Minimum void depth (when passing Control Module and ECO-Power Pack through cut-out) - 170mm

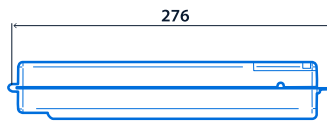
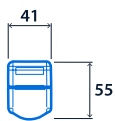
ECO-Power Pack



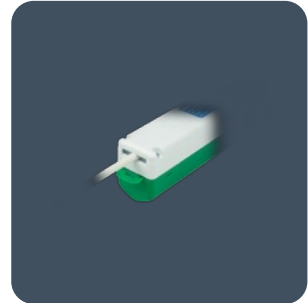
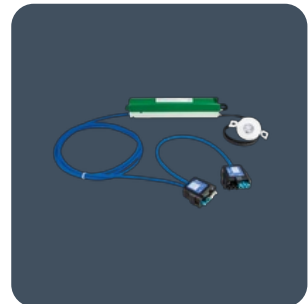
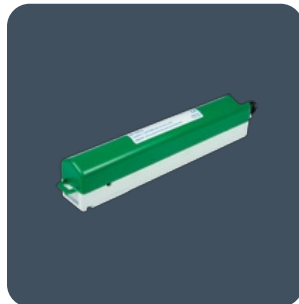
Control Module




Control Module and ECO-Power Pack Combined




Control Module and ECO-Power Pack are articulated for easy placement through a small cut hole. The two items may be clipped on top of each other for space saving.





**Click or scan here**  
 View Firefly Plus variants using  
 our online filtering tool



Information is correct as of 29 Dec 2024, however must not be interpreted as a guarantee of individual product performance and/or characteristics. We reserve the right to alter specifications and designs without prior notice.