

Adjustable emergency twin head spotlights for open areas

The new Duo-Spot is an adjustable 2 x 4.5 W LED twin head emergency light with narrow and wide beam options. It uses long life LiFePO4 cells and the latest high power LEDs.

Applications: Ideally suited for use in areas where more conventional methods of emergency lighting are not practical.

- 3 hour, non-maintained operation
- Available with narrow (29°) or wide (63°) beam
- Adjustable lamp heads
- Suitable for wall or ceiling mounting
- Simple to install, full status reporting SmartScan wireless communication versions



Up to IP65

0 LL/CW

SMARTSCAN

Specification

Mounting	Surface	IP rating	Up to IP65
----------	---------	-----------	------------

Emergency data

Emergency lumen output (multiple)	2 x 585 lm	Emergency type	Non-maintained
Emergency duration	3 hours	Battery specification	Lithium Iron Phosphate (LiFePO4)

Power

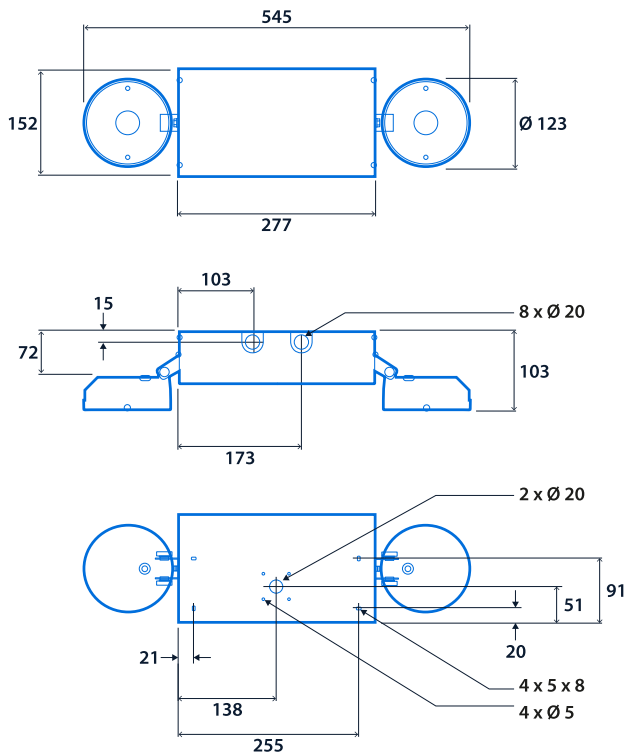
LED power (multiple)	2 x 4.5 W	Circuit power	2.5 W
----------------------	-----------	---------------	-------

Compliance

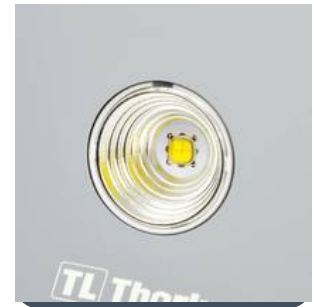
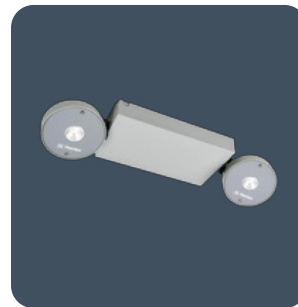
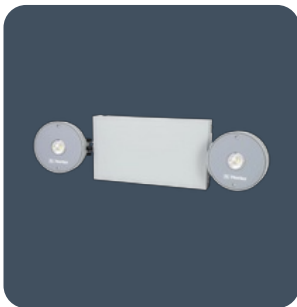
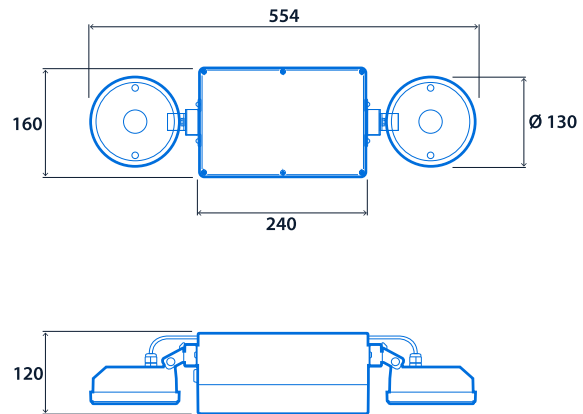
UKCA	Yes	CE	Yes
------	-----	----	-----

Dimensions

IP20 version



IP65 version



Click or scan here
View Duo-Spot variants using
our online filtering tool



Information is correct as of 29 Dec 2024, however must not be interpreted as a guarantee of individual product performance and/or characteristics. We reserve the right to alter specifications and designs without prior notice.