

High performance LED high bay luminaires

The Comboseal Plus is a high efficiency, IP66, circular LED luminaire for high and low bay applications, designed to be used as a direct replacement for traditional single point suspended discharge luminaires up to 400 W.

The Comboseal Plus is available in 160 W and 250 W with broad distribution capable of producing up to 41,100 lumens of white light, with colour rendition greater than 80 CRI. SmartScan versions with integral PIR suitable for mounting up to 18 m.

Applications: Cold stores, general industrial areas, manufacturing, food processing, leisure centres, high level racking aisles, retail and commercial areas

- Strong high pressure die-cast aluminium body
- Clear flat toughened/safety glass cover
- Smooth wipe clean surfaces, no dust traps
- Integral high efficiency driver
- Extremely efficient and long system life up to 100,000 hours
- SmartScan wireless technology removes the need for control cabling. Ideal for retro-fit



Up to IP66

Up to 165.1 LL/CW

SMART-SCAN

LUXGUARD

Specification

Mounting	Suspended	IP rating	Up to IP66
Max presence detection height	18 m		

Lighting

Optic	Clear cover	Lumen output	27,580 lm - 41,100 lm
Efficacy	Up to 165.1 LL/CW		

Power

LED power	160 W - 250 W	Circuit power	167 W - 268 W
-----------	---------------	---------------	---------------

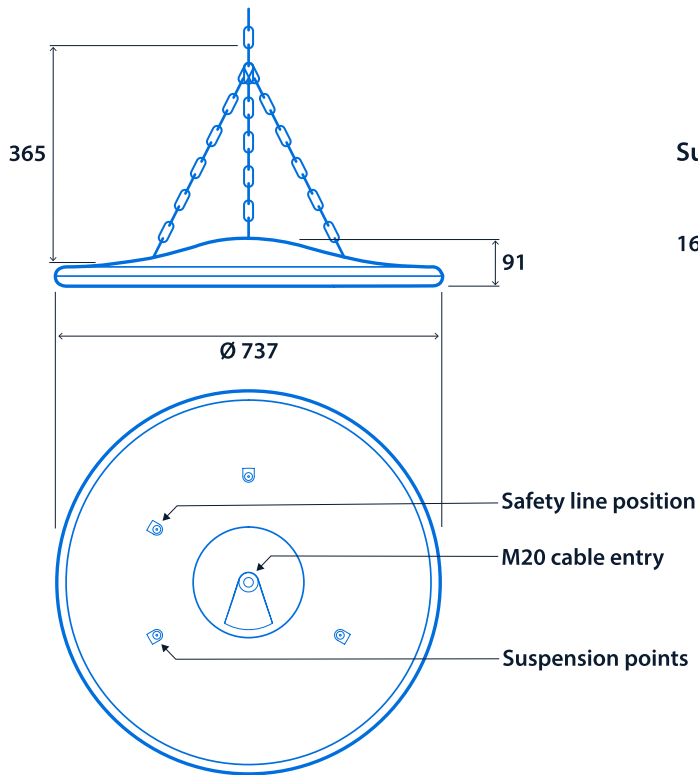
LED characteristics

CRI	80+	Colour temperature	4000 K
Rated life (hours)	100 K - L70/B10		

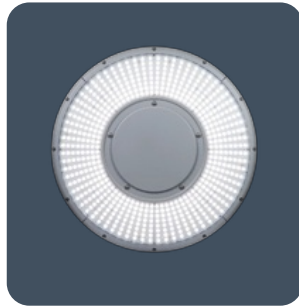
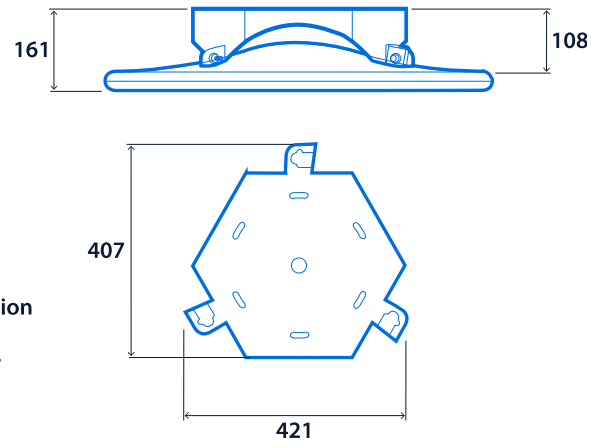
Compliance

UKCA	Yes	CE	Yes
D Mark	Yes	Energy efficiency class	This product contains a light source of energy efficiency class B

Dimensions



Surface mount bracket





Click or scan here
View Comboseal Plus variants
using our online filtering tool



Information is correct as of 29 Dec 2024, however must not be interpreted as a guarantee of individual product performance and/or characteristics. We reserve the right to alter specifications and designs without prior notice.