

## High efficiency LED pendant luminaires

Circular pendant luminaire with die-cast aluminium body and a choice of satin sparkle or opal diffuser. Direct and indirect illumination with red, green and blue uplight facility. Surface mounted option available.

Applications: Atriums, reception areas, retail, schools, stairwells.

- High efficiency satin sparkle or opal polycarbonate diffuser
- Direct/indirect illumination
- Uplight white as standard with red, green and blue options
- Supplied fully assembled
- Suspended or surface mounted versions
- SmartScan wireless technology removes the need for control cabling. Ideal for retro-fit

Notes: Emergency output on downlight only



IP40

Up to 127.1 LL/CW

### Specification

|                               |                      |           |      |
|-------------------------------|----------------------|-----------|------|
| Mounting                      | Surface<br>Suspended | IP rating | IP40 |
| Max presence detection height | 8 m                  |           |      |

### Lighting

|          |   |              |                      |
|----------|---|--------------|----------------------|
| Optic    | Opal diffuser<br>Satin sparkle diffuser | Lumen output | 6,705 lm - 14,395 lm |
| Efficacy | Up to 127.1 LL/CW                       |              |                      |

### Emergency data

|                        |                 |                       |                             |
|------------------------|-----------------|-----------------------|-----------------------------|
| Emergency lumen output | 420 lm - 460 lm | Emergency type        | Maintained                  |
| Emergency duration     | 3 hours         | Battery specification | Nickel Metal Hydride (NiMH) |

### Power

|           |              |               |              |
|-----------|--------------|---------------|--------------|
| LED power | 52 W - 100 W | Circuit power | 60 W - 116 W |
|-----------|--------------|---------------|--------------|

### LED characteristics

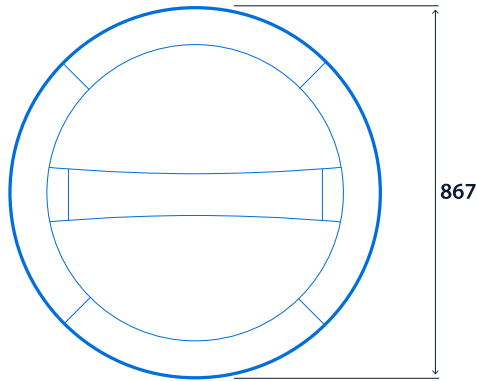
|                    |                 |                    |        |
|--------------------|-----------------|--------------------|--------|
| CRI                | 80+             | Colour temperature | 4000 K |
| Rated life (hours) | 100 K - L70/B10 |                    |        |

## Compliance

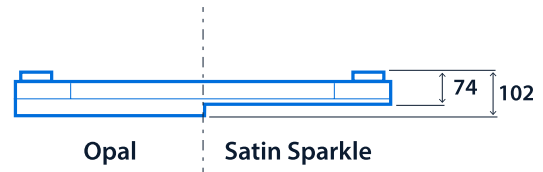
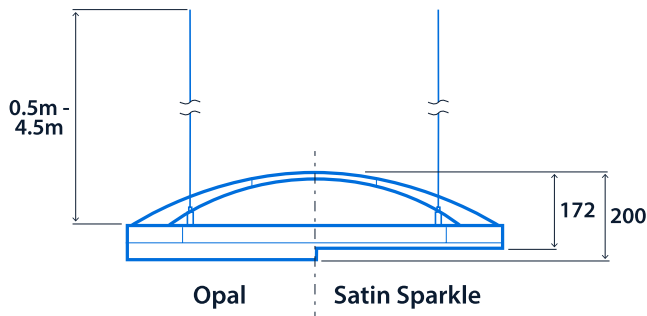
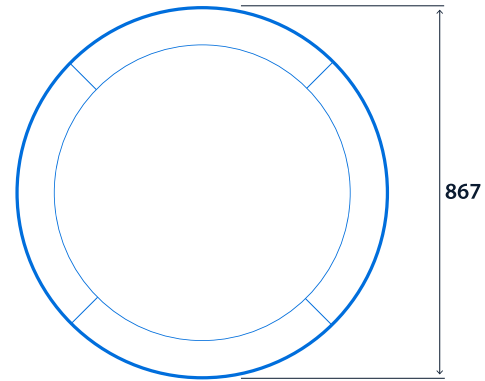
|                         |   |    |     |
|-------------------------|---|----|-----|
| UKCA                    | Yes   | CE | Yes |
| Energy efficiency class | This product contains a light source of energy efficiency class B |    |     |

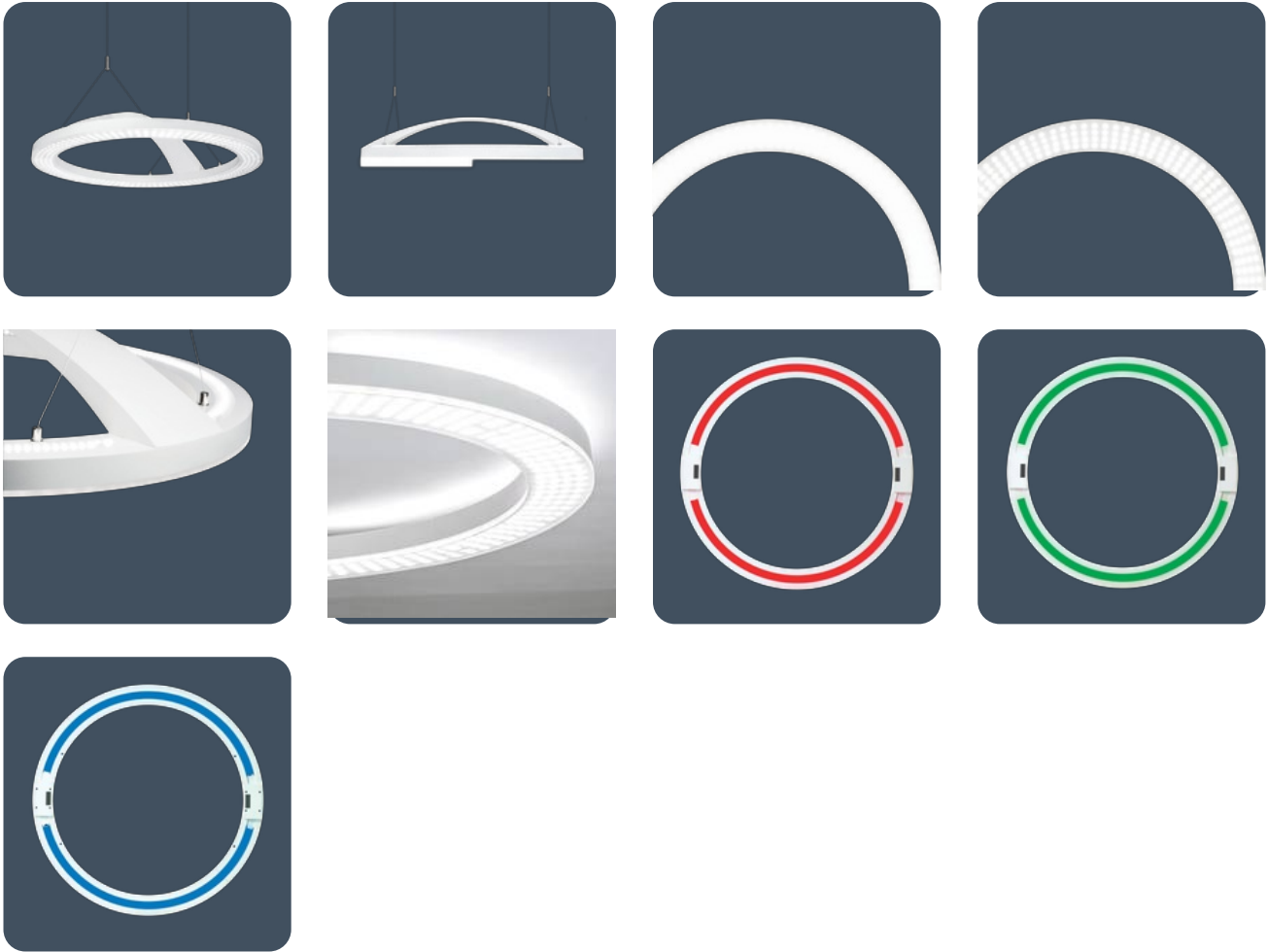
## Dimensions

### Suspended



### Surface





**Click or scan here**  
View Clara 720 variants using  
our online filtering tool



Information is correct as of 29 Dec 2024, however must not be interpreted as a guarantee of individual product performance and/or characteristics. We reserve the right to alter specifications and designs without prior notice.